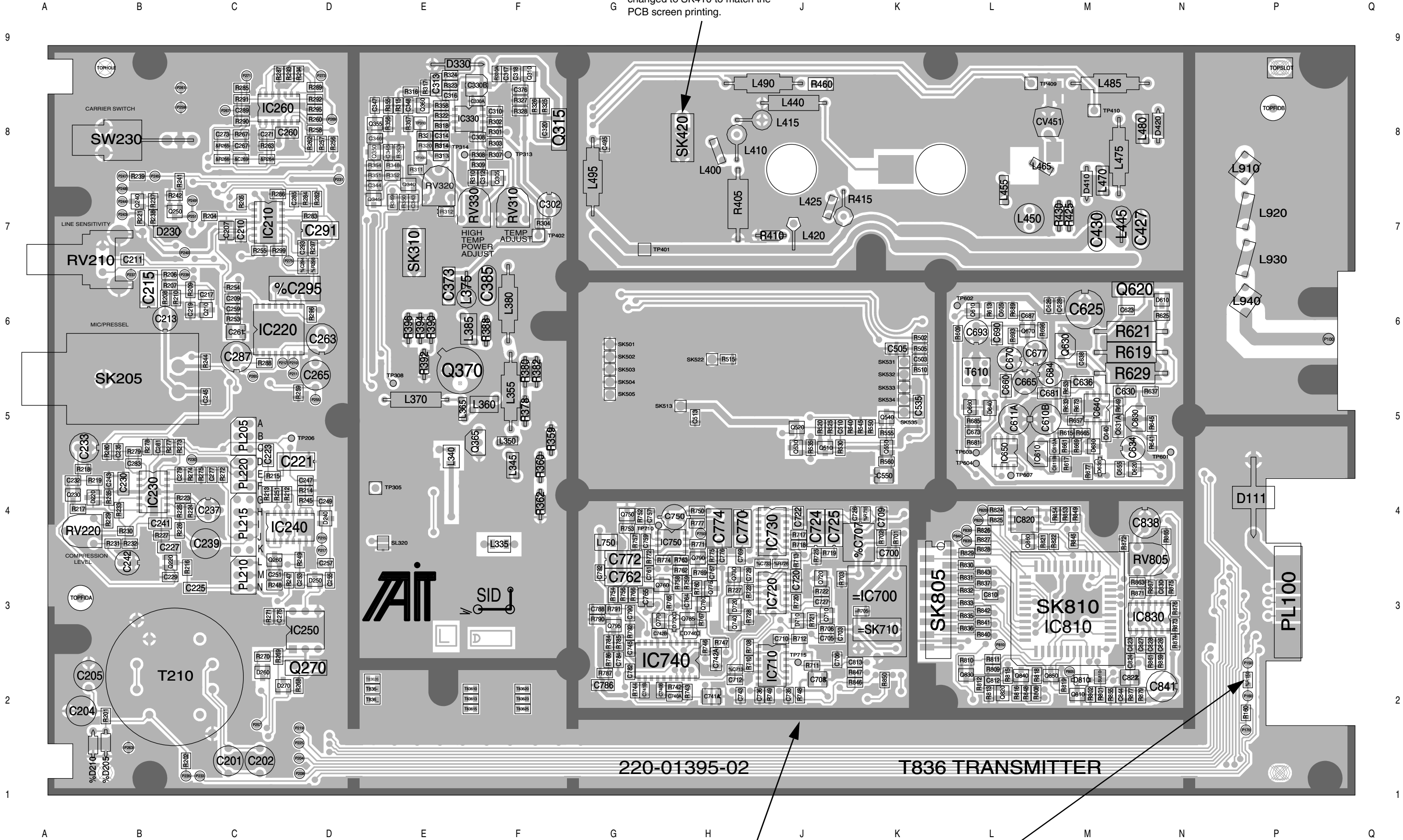


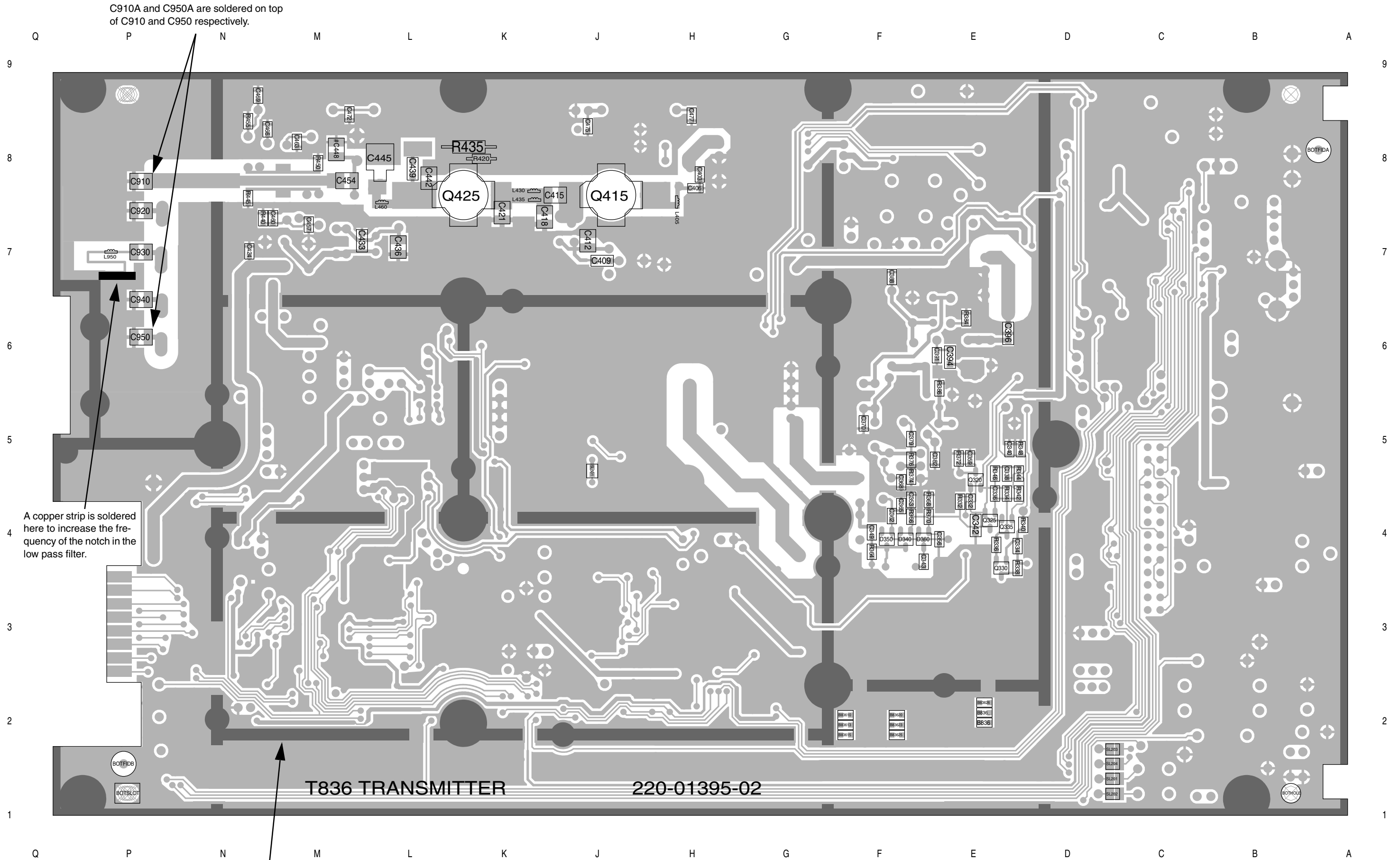
Designator of SK420 has been changed to SK410 to match the PCB screen printing.



The darker shading shows the outline of the chassis.

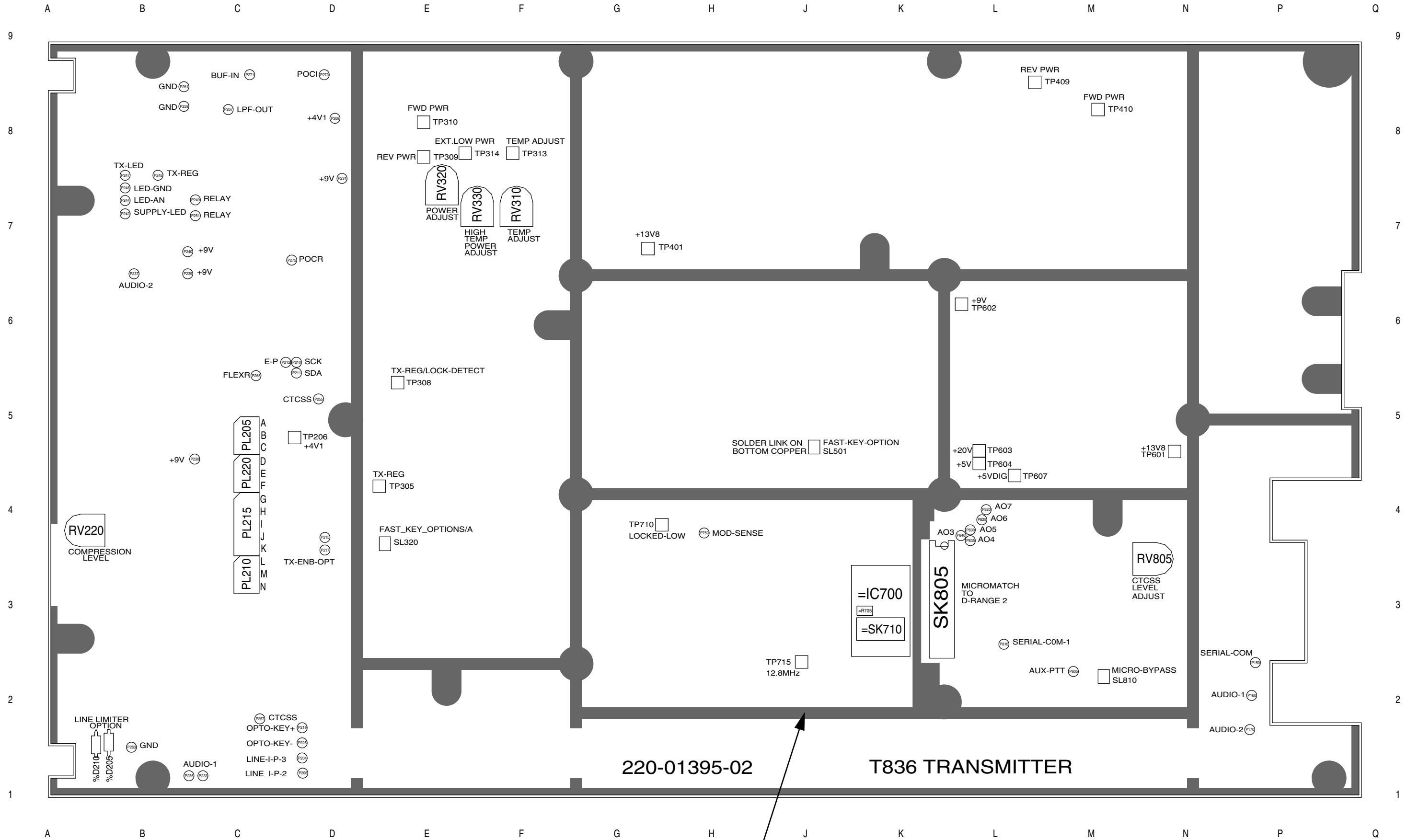
%R150 (10Ω) is fitted only when the T836 is used in a Series I rack frame (refer to Part I for full details).

T836 PCB Layout - Top Side
220-01395-02



T836 TRANSMITTER 220-01395-02

T836 PCB Layout - Bottom Side
220-01395-02

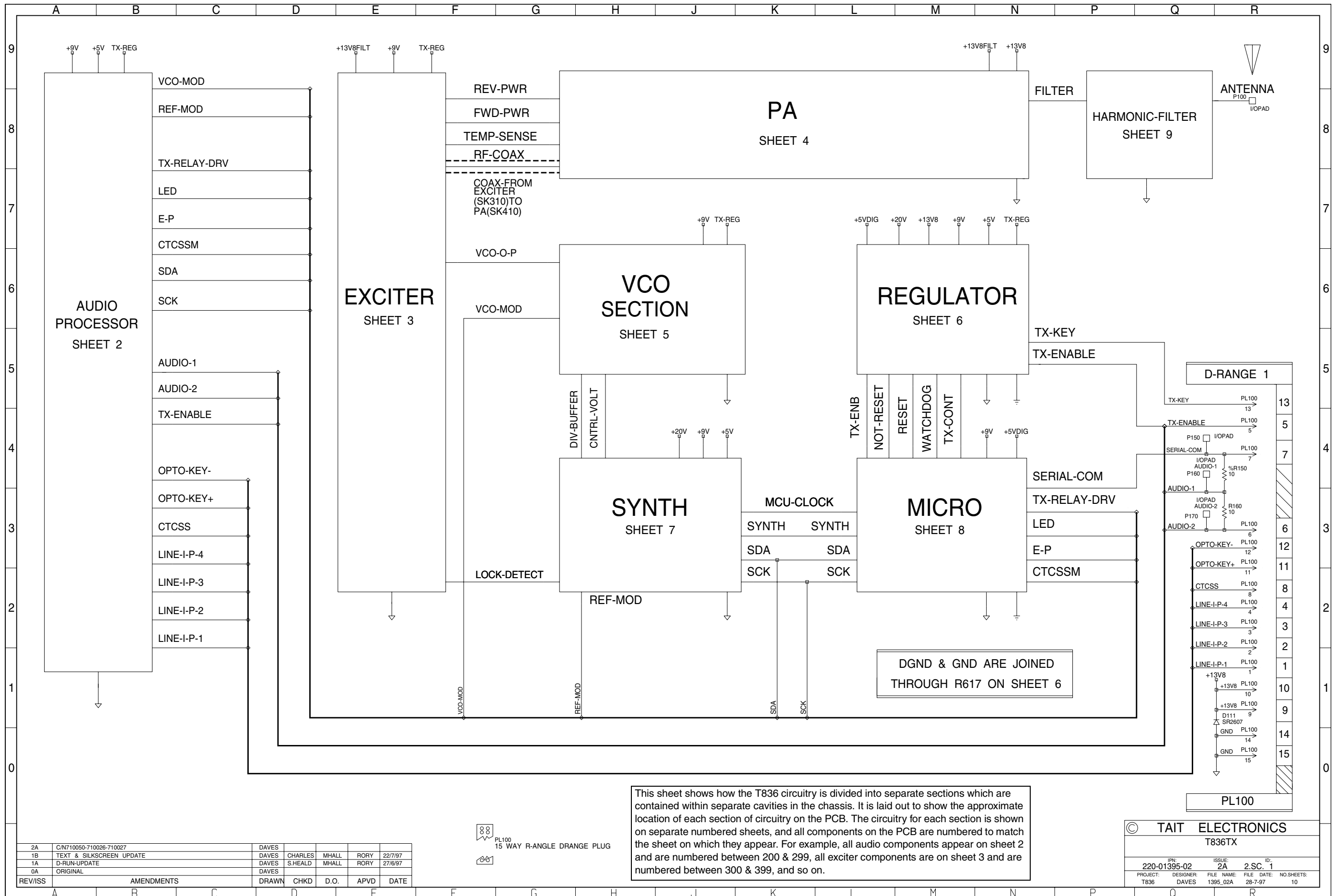


220-01395-02

T836 TRANSMITTER

The darker shading shows the outline of the chassis.

T836 Test Points & Options Connections
220-01395-02 (Top & Bottom Side Shown)

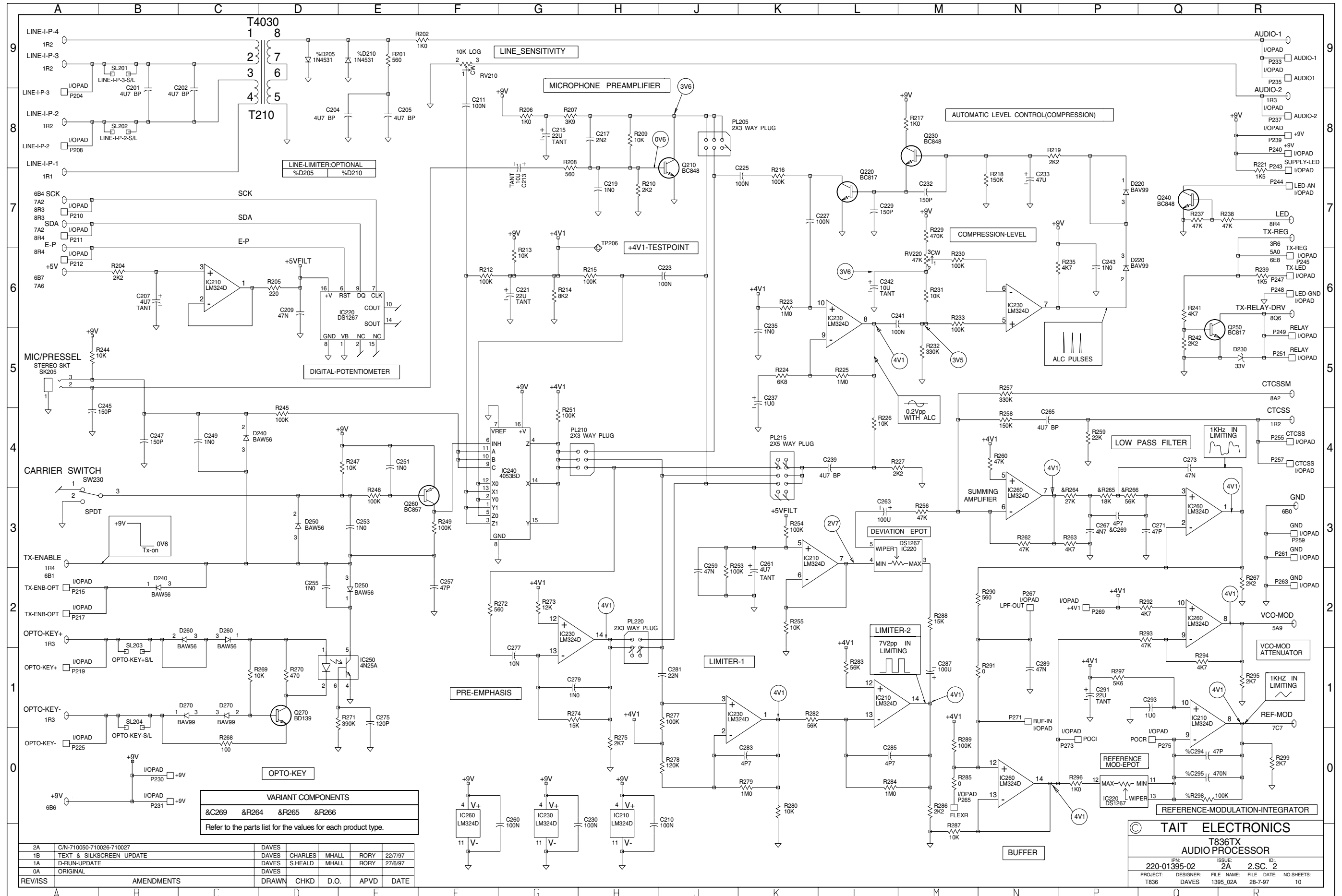


This sheet shows how the T836 circuitry is divided into separate sections which are contained within separate cavities in the chassis. It is laid out to show the approximate location of each section of circuitry on the PCB. The circuitry for each section is shown on separate numbered sheets, and all components on the PCB are numbered to match the sheet on which they appear. For example, all audio components appear on sheet 2 and are numbered between 200 & 299, all exciter components are on sheet 3 and are numbered between 300 & 399, and so on.

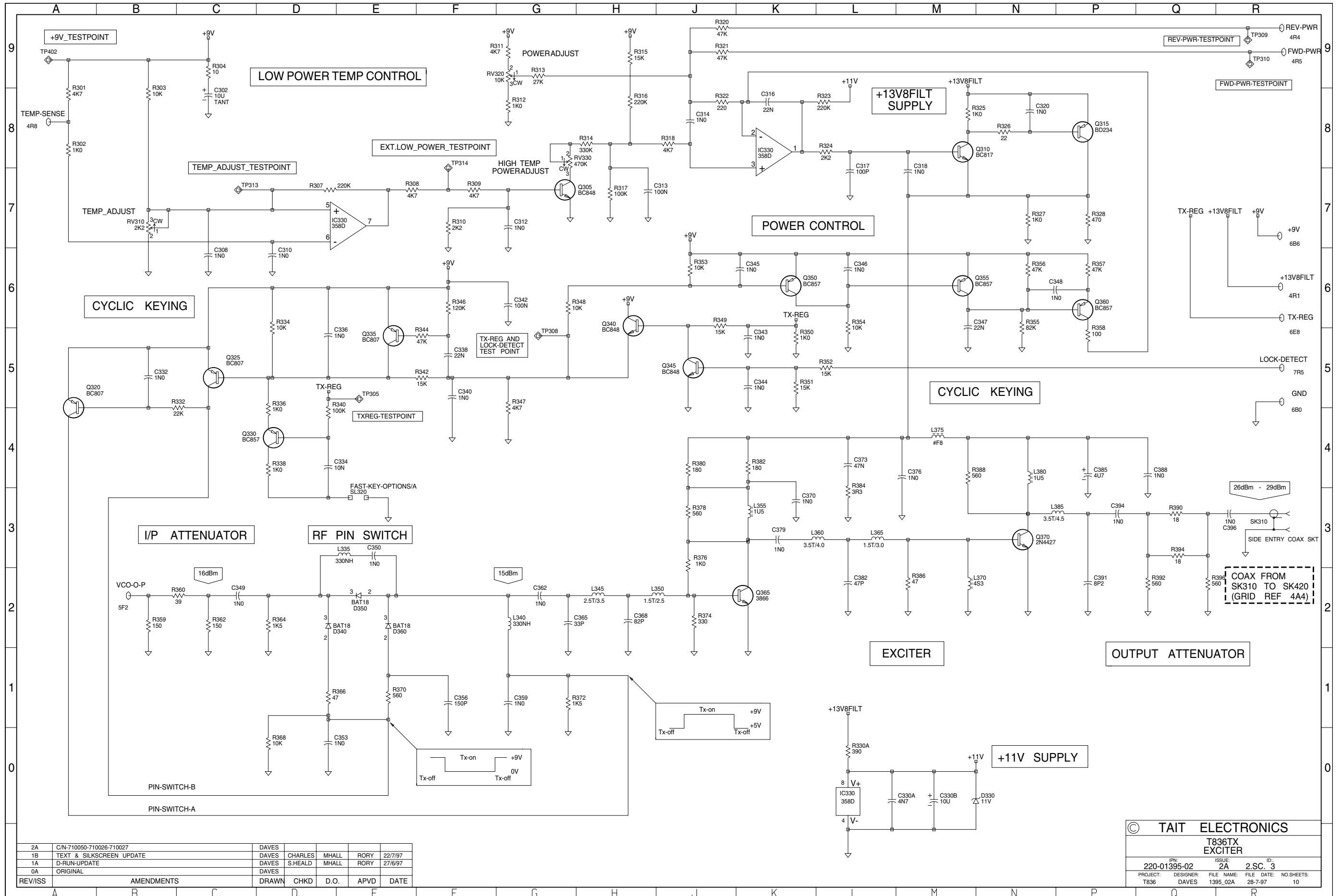
2A	C/N710050-710026-710027	DAVES				
1B	TEXT & SILKSCREEN UPDATE	DAVES	CHARLES	MHALL	RORY	22/7/97
1A	D-RUN-UPDATE	DAVES	S.HEALD	MHALL	RORY	27/6/97
0A	ORIGINAL	DAVES				
REV/ISS	AMENDMENTS	DRAWN	CHKD	D.O.	APVD	DATE

PL100
15 WAY R-ANGLE DRANGE PLUG

© TAIT ELECTRONICS			
T836TX			
IPN:	ISSUE:	2A	ID: 1
220-01395-02	2.S.C.		
PROJECT:	DESIGNER:	FILE NAME:	FILE DATE:
T836	DAVES	1395_02A	28-7-97
			NO SHEETS: 10

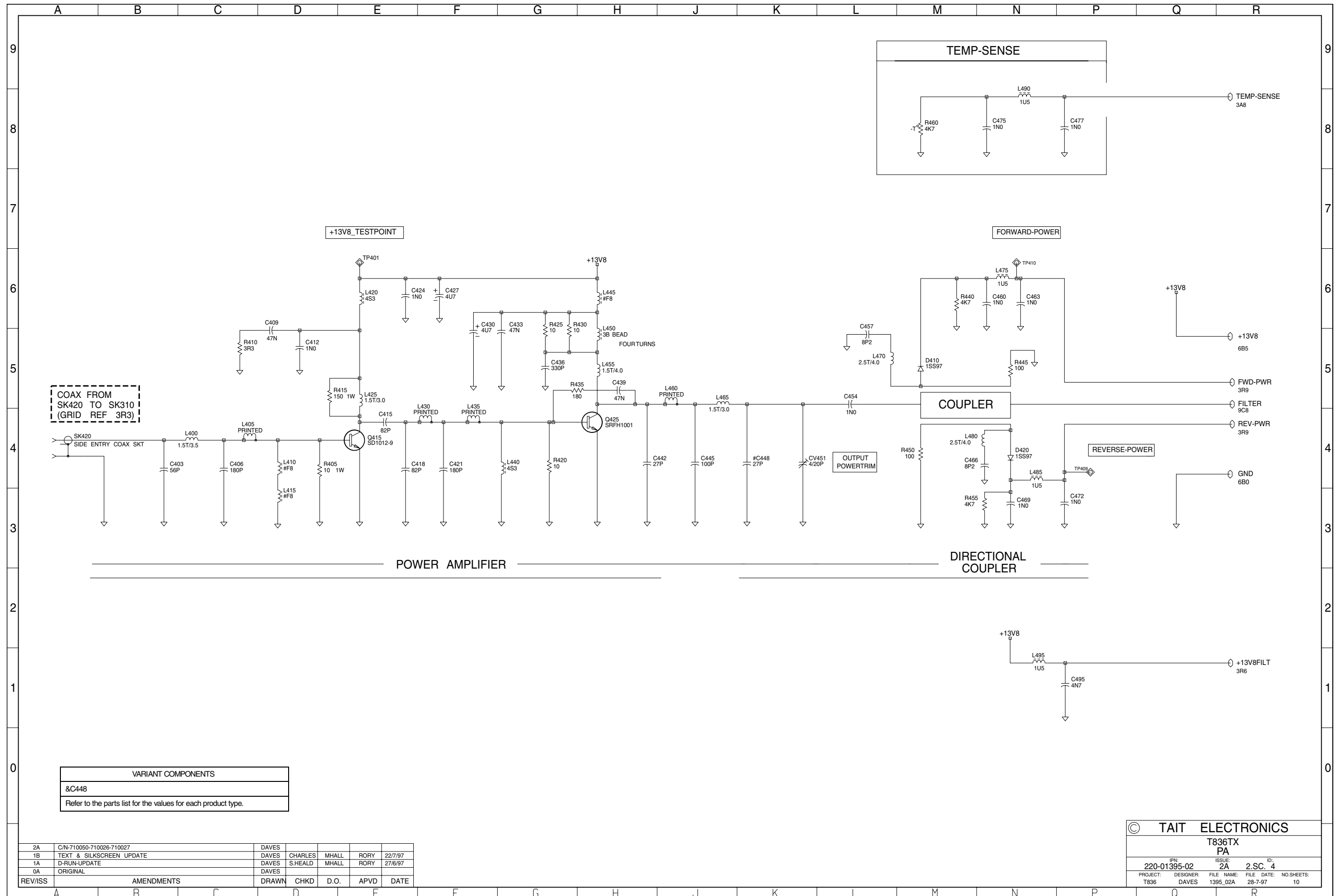


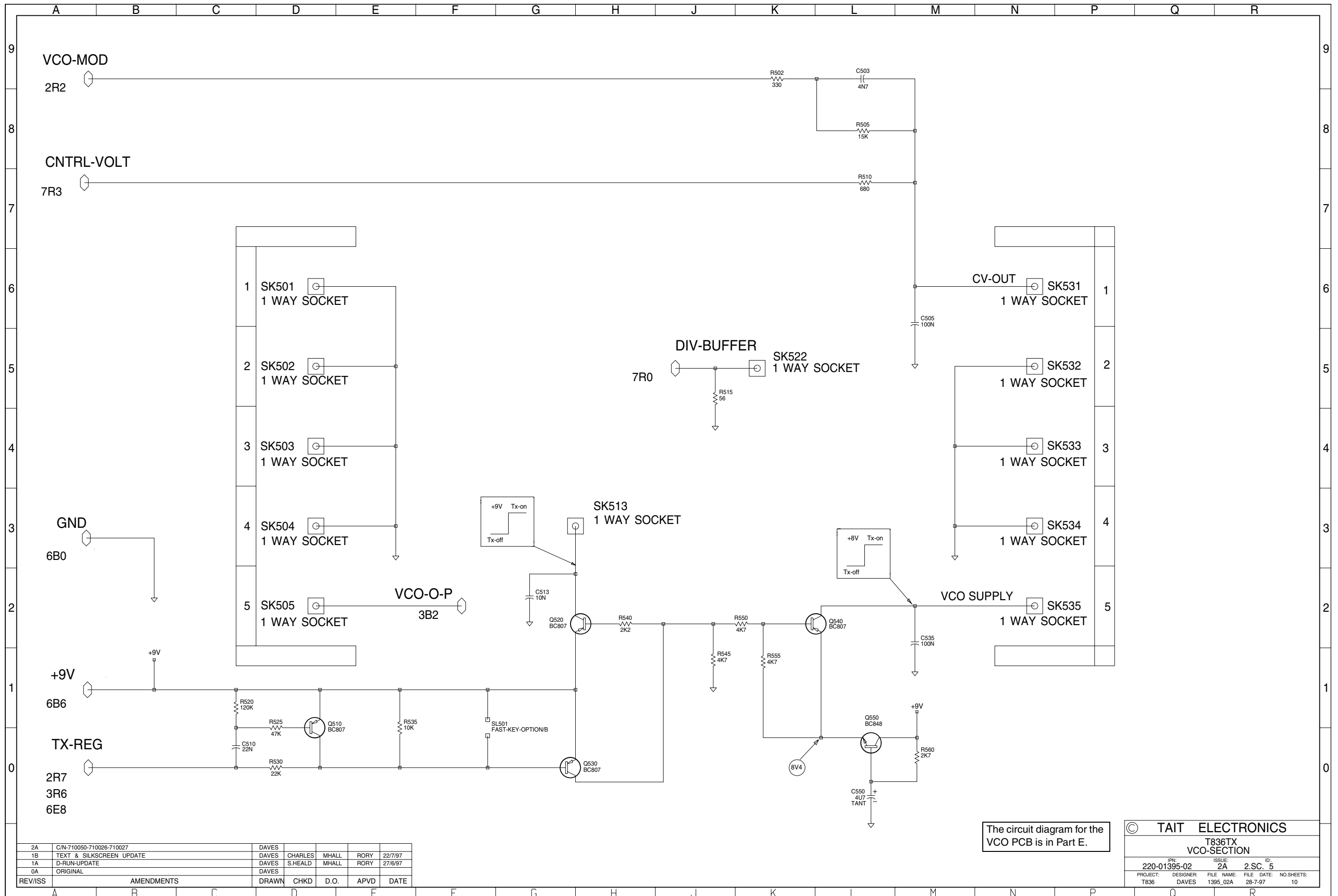
TAIT ELECTRONICS
T836TX
AUDIO PROCESSOR
 IPN: 220-01395-02 ISSUE: 2A ID: 2
 PROJECT: T836 DESIGNER: DAVES FILE NAME: 1395_02A FILE DATE: 28-7-97 NO SHEETS: 10



2A	C/N-710050-710026-710027	DAVES	CHARLES	MHALL	RORY	22/7/97
1B	TEXT & SILKSCREEN UPDATE	DAVES	S.HEALD	MHALL	RORY	27/6/97
1A	D-RUN-UPDATE	DAVES				
0A	ORIGINAL	DAVES				
REV/ISS	AMENDMENTS	DRAWN	CHKD	D.O.	APVD	DATE

© TAIT ELECTRONICS					
T836TX EXCITER					
IPN:	220-01395-02	ISSUE:	2A	ID:	2.S.C. 3
PROJECT:	T836	DESIGNER:	DAVES	FILE NAME:	1395_02A
		FILE DATE:	28-7-97	NO.SHEETS:	10

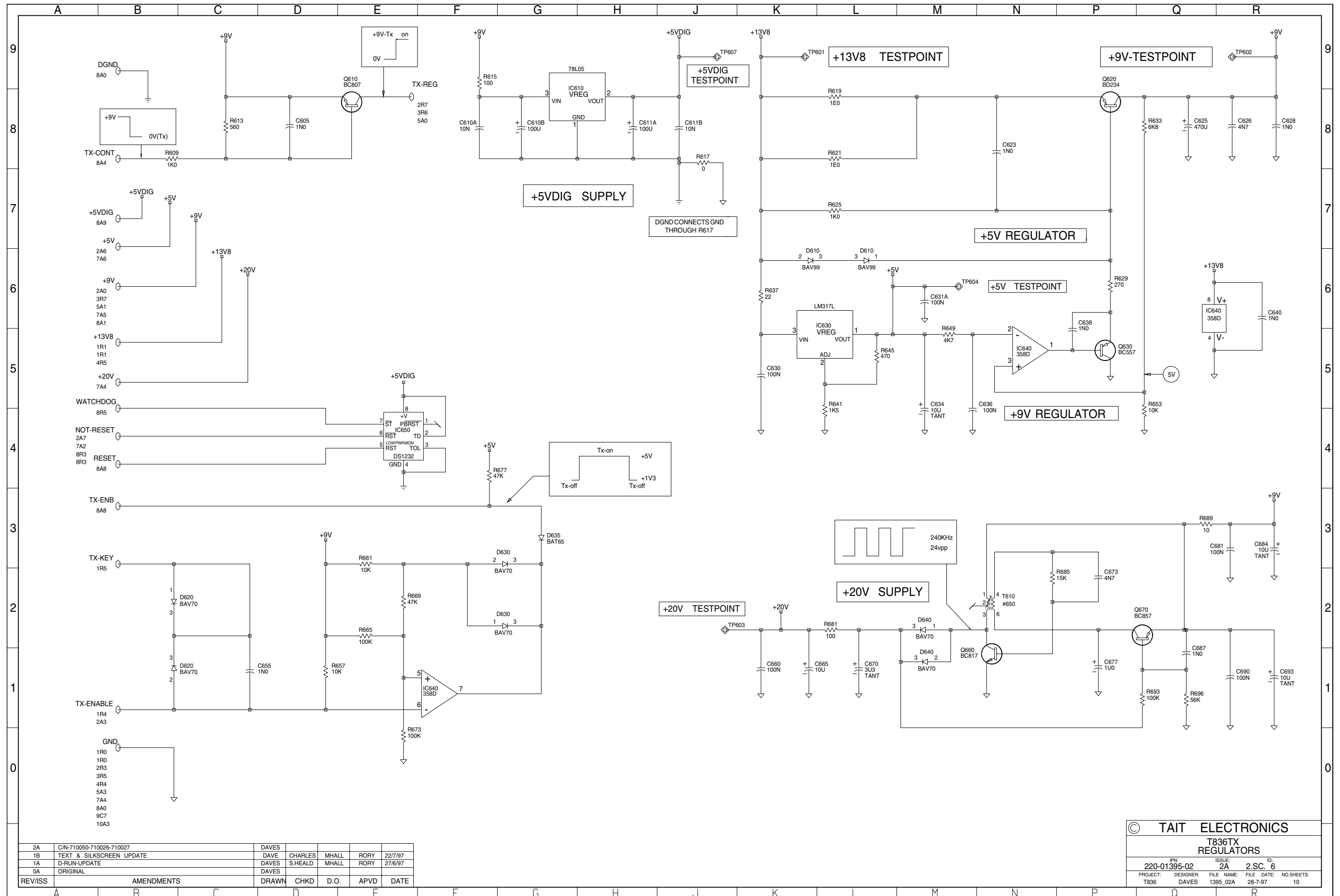




2A	C/N-710050-710026-710027	DAVES				
1B	TEXT & SILKSCREEN UPDATE	DAVES	CHARLES	MHALL	RORY	22/7/97
1A	D-RUN-UPDATE	DAVES	S.HEALD	MHALL	RORY	27/6/97
0A	ORIGINAL	DAVES				
REV/ISS	AMENDMENTS	DRAWN	CHKD	D.O.	APVD	DATE

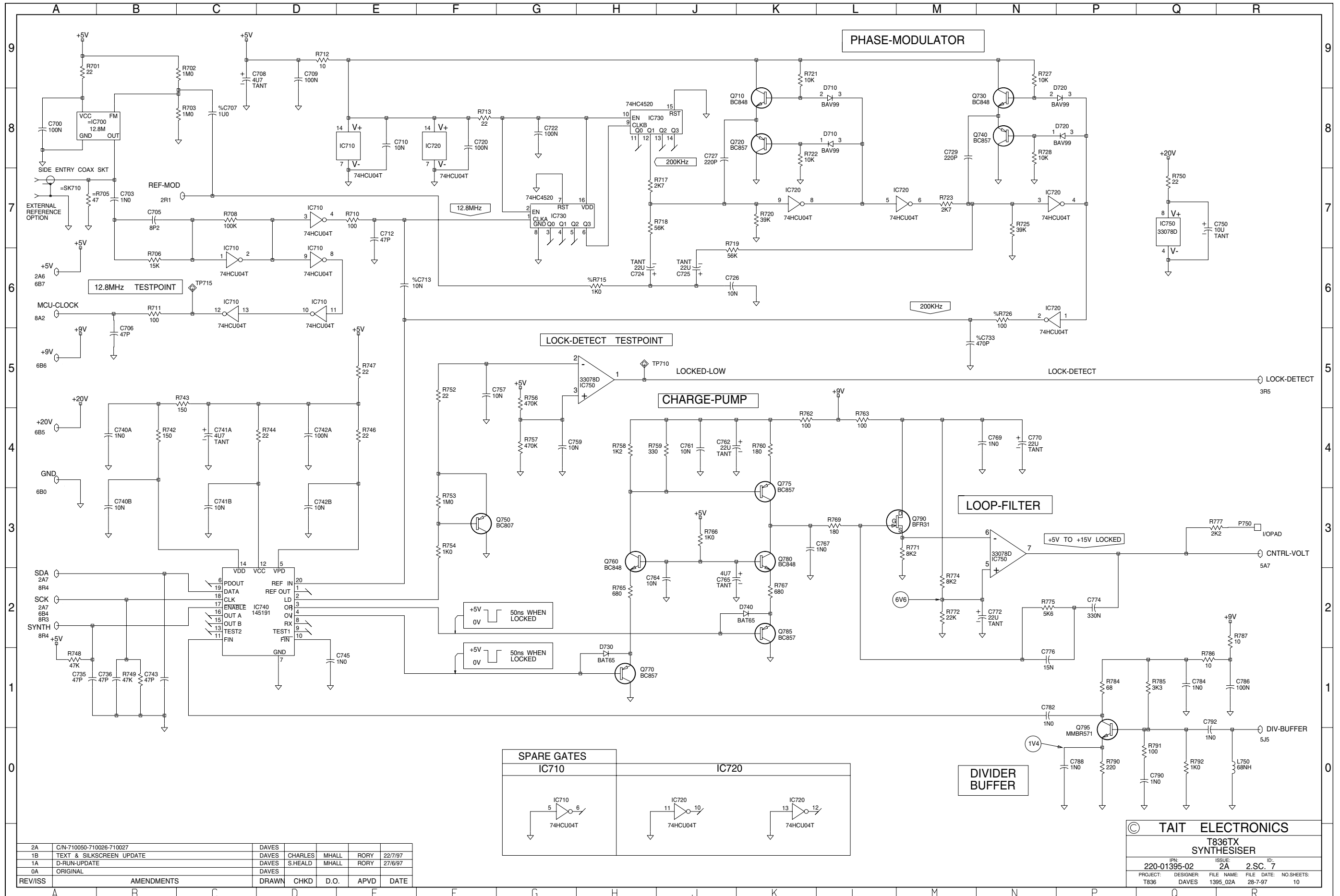
The circuit diagram for the VCO PCB is in Part E.

© TAIT ELECTRONICS			
T836TX			
VCO-SECTION			
IPN:	ISSUE:	ID:	
220-01395-02	2A	2.SC.	5
PROJECT:	DESIGNER:	FILE NAME:	FILE DATE:
T836	DAVES	1395_02A	28-7-97
			NO.SHEETS: 10



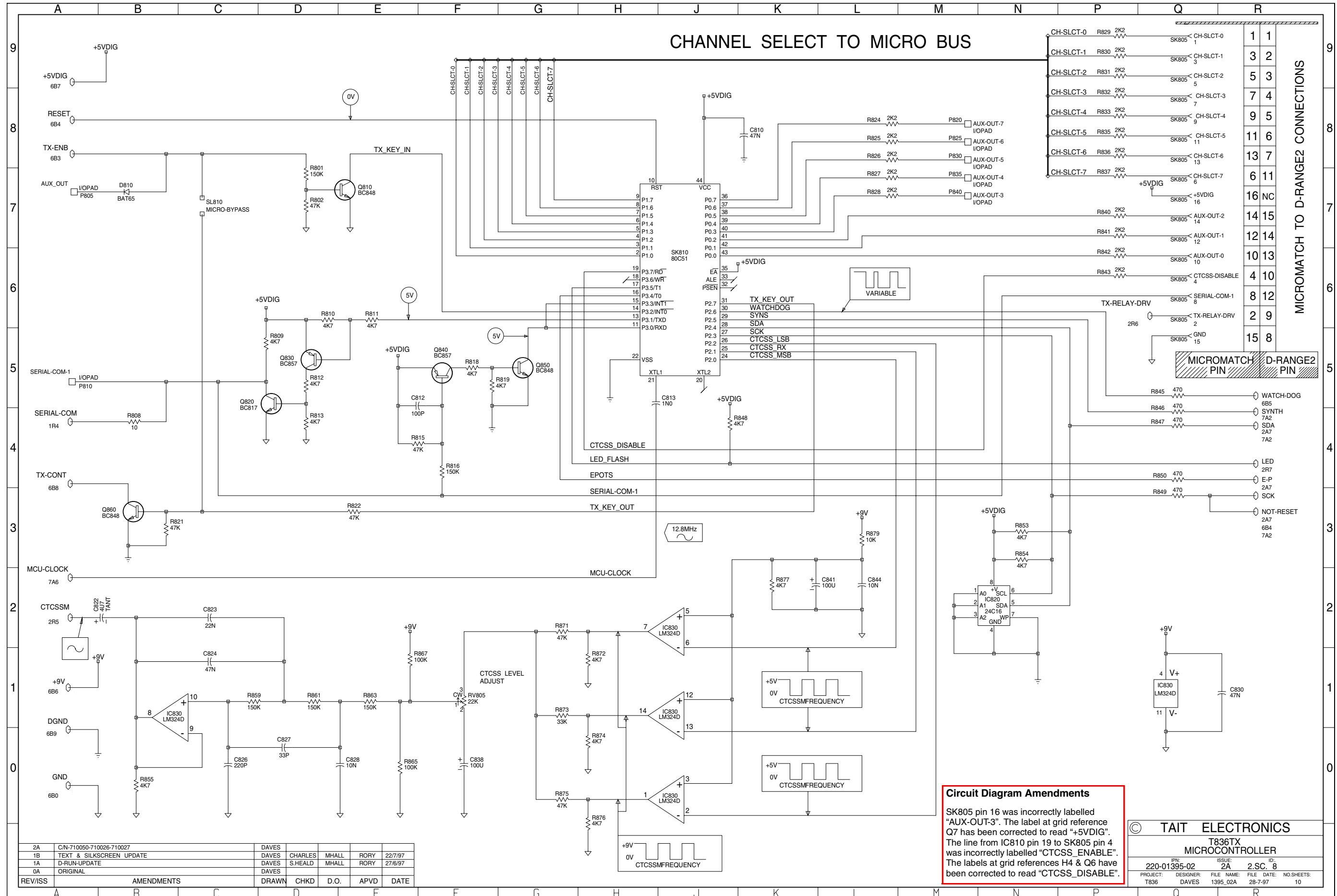
2A	C/N-710050-710026-710027	DAVES			
1B	TEXT & SILKSCREEN UPDATE	DAVE	CHARLES	MHALL	RORY 22/7/97
1A	D-RUN-UPDATE	DAVES	S.HEALD	MHALL	RORY 27/6/97
0A	ORIGINAL	DAVES			
REV/ISS	AMENDMENTS	DRAWN	CHKD	D.O.	APVD DATE

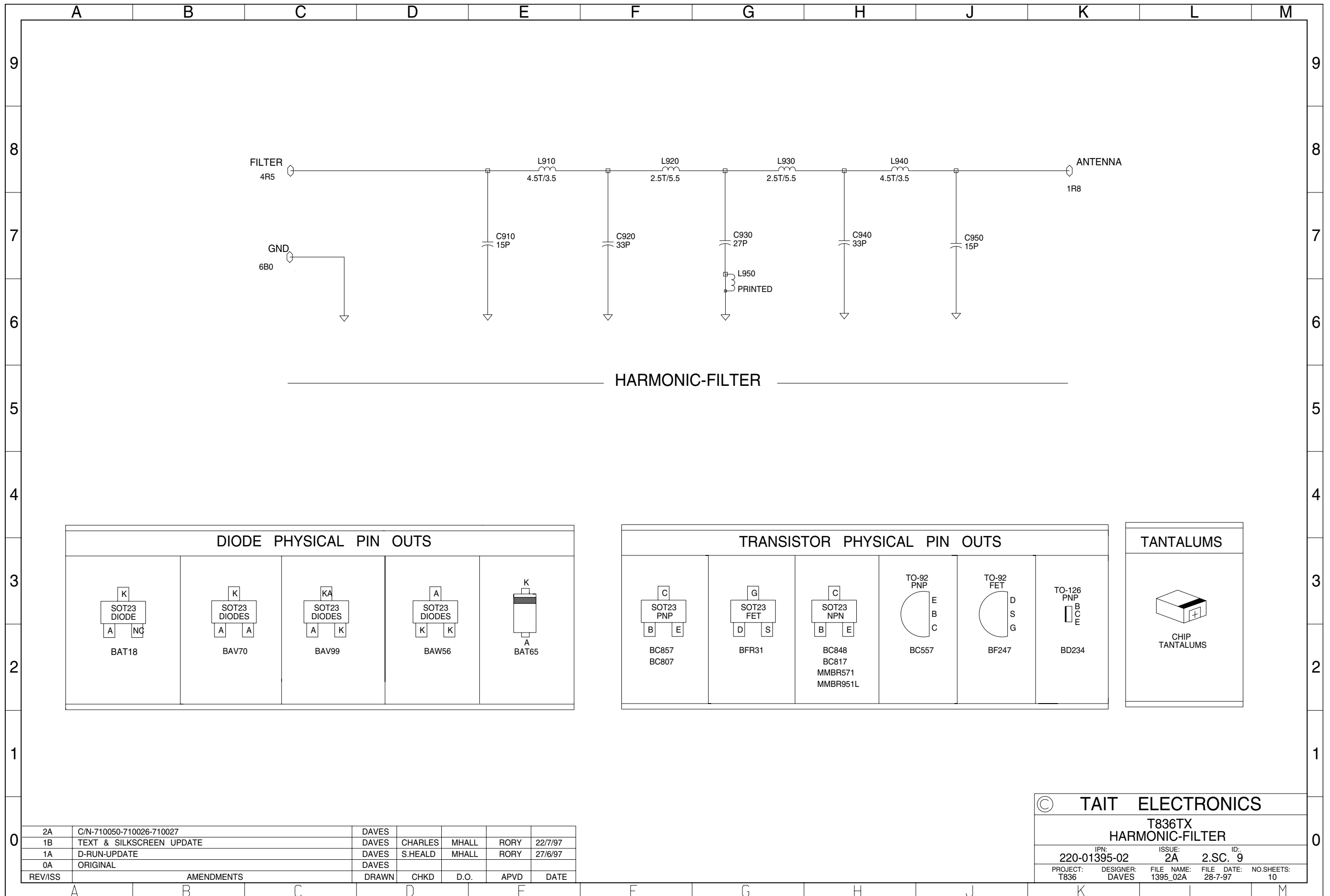
© TAIT ELECTRONICS					
T836TX REGULATORS					
IPN:	220-01395-02	ISSUE:	2A	ID:	2.S.C. 6
PROJECT:	T836	DESIGNER:	DAVES	FILE NAME:	1395_02A
		DATE:	28-7-97	NO SHEETS:	10



REV/ISS	AMENDMENTS	DRAWN	CHKD	D.O.	APVD	DATE
2A	C/N-710050-710026-710027	DAVES				
1B	TEXT & SILKSCREEN UPDATE	DAVES	CHARLES	MHALL	RORY	22/7/97
1A	D-RUN-UPDATE	DAVES	S.HEALD	MHALL	RORY	27/6/97
0A	ORIGINAL	DAVES				

TAIT ELECTRONICS			
T836TX SYNTHESISER			
IPN:	ISSUE:	ID:	
220-01395-02	2A	2.S.C.	7
PROJECT:	DESIGNER:	FILE NAME:	FILE DATE:
T836	DAVES	1395_02A	28-7-97
NO SHEETS:			
			10





DIODE PHYSICAL PIN OUTS				
BAT18	BAV70	BAV99	BAW56	BAT65

TRANSISTOR PHYSICAL PIN OUTS					
BC857 BC807	BFR31	BC848 BC817 MMBR571 MMBR951L	BC557	BF247	BD234

TANTALUMS
CHIP TANTALUMS

REV/ISS	AMENDMENTS	DRAWN	CHKD	D.O.	APVD	DATE
2A	C/N-710050-710026-710027	DAVES				
1B	TEXT & SILKSCREEN UPDATE	DAVES	CHARLES	MHALL	RORY	22/7/97
1A	D-RUN-UPDATE	DAVES	S.HEALD	MHALL	RORY	27/6/97
0A	ORIGINAL	DAVES				

© TAIT ELECTRONICS					
T836TX HARMONIC-FILTER					
IPN:	220-01395-02	ISSUE:	2A	ID.:	2.SC. 9
PROJECT:	T836	DESIGNER:	DAVES	FILE NAME:	1395_02A
		FILE DATE:	28-7-97	NO.SHEETS:	10